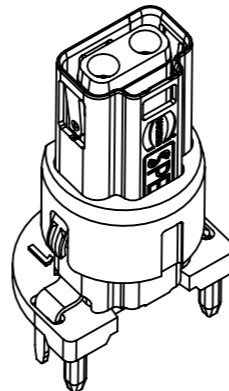
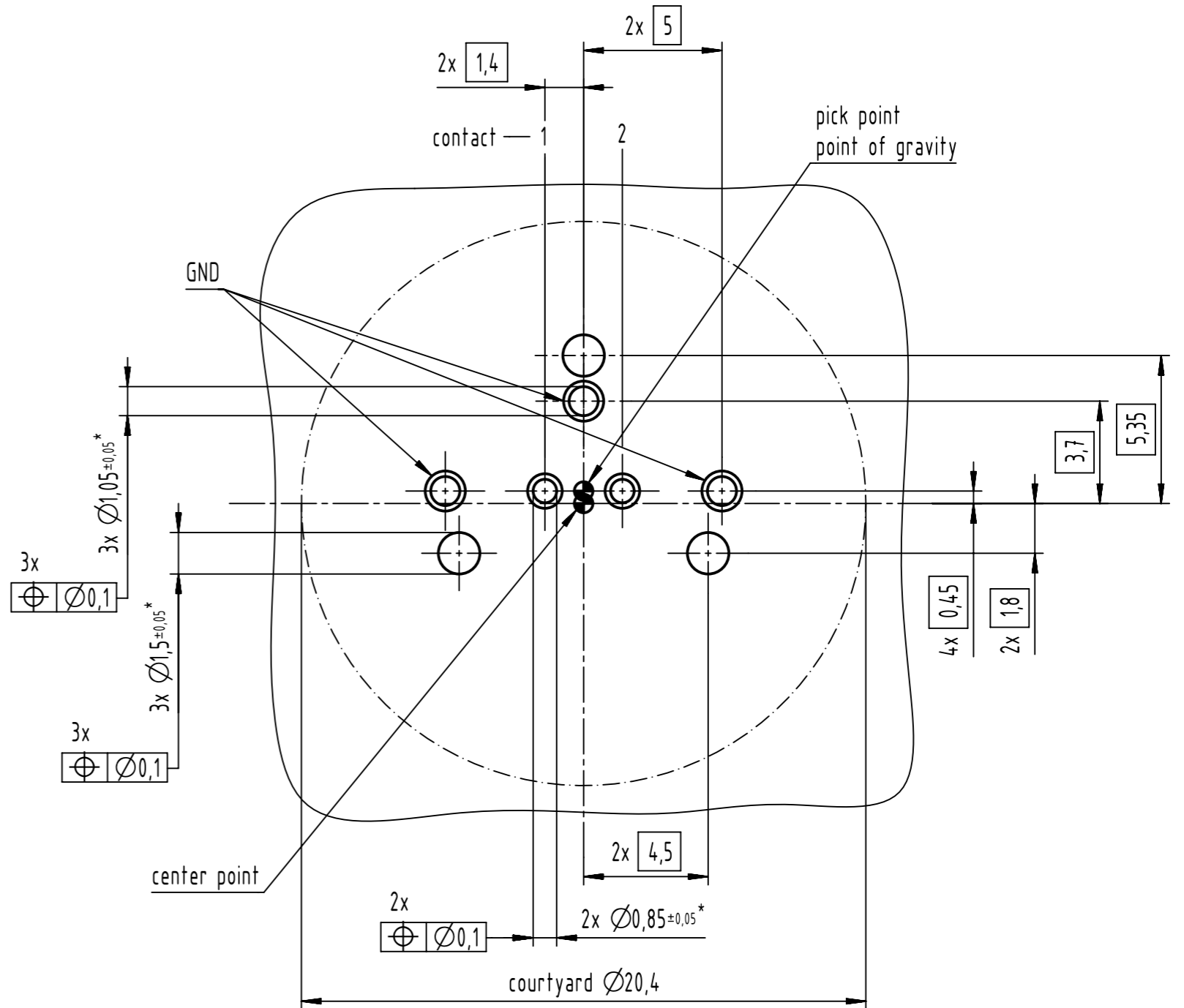


mating face acc. to IEC 63171-6



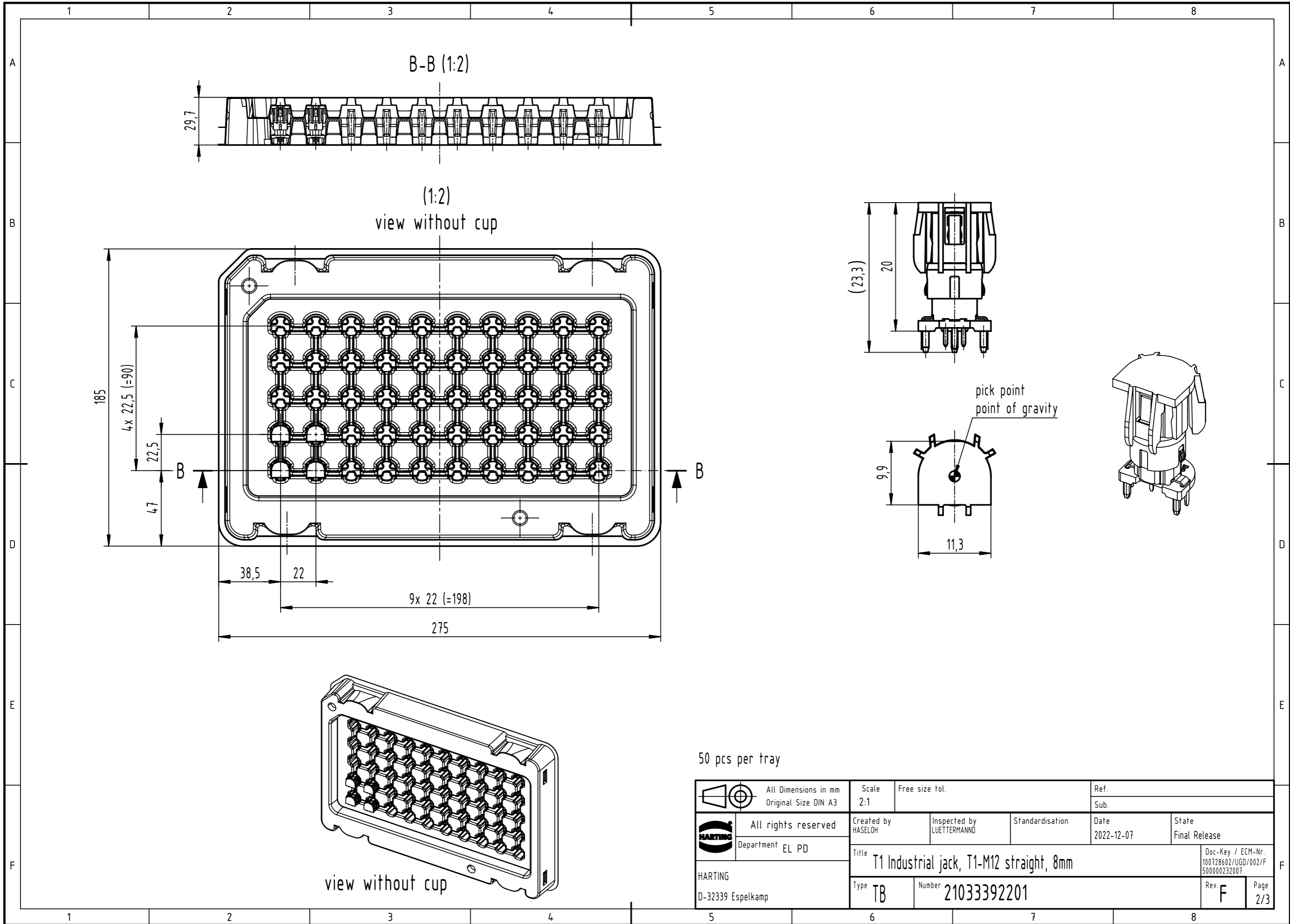
A (5:1)
PCB layout



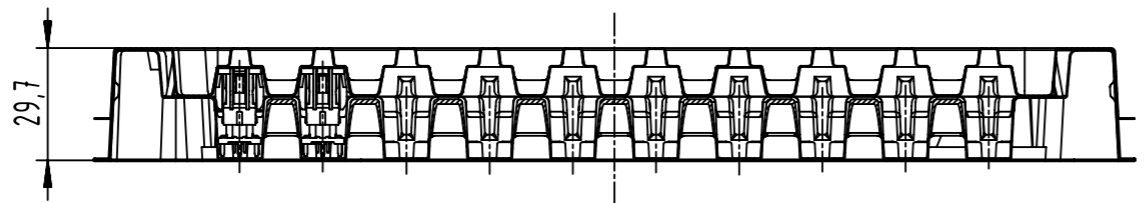
*) all holes are finished diameter

contact	PMA signal
1	BI DA+
2	BI DA-

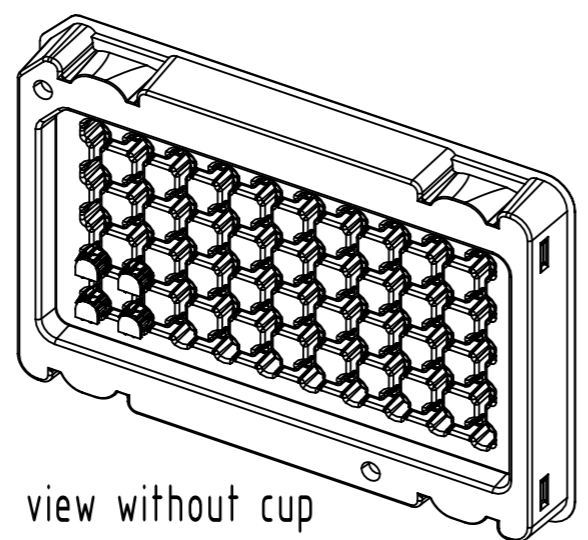
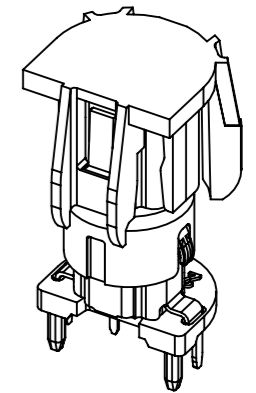
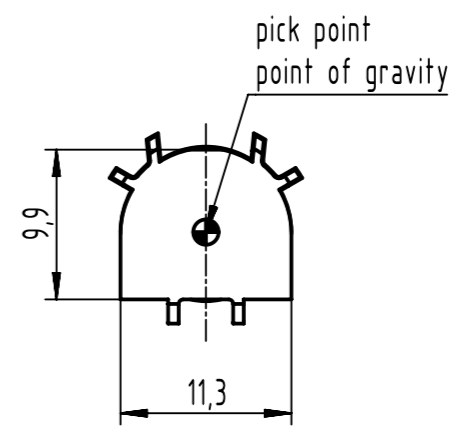
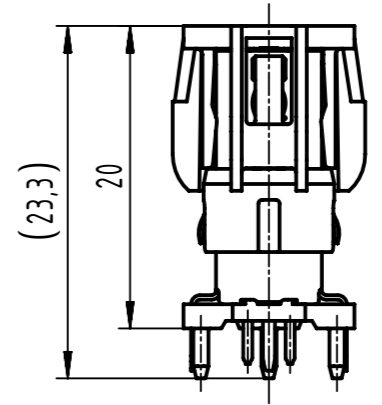
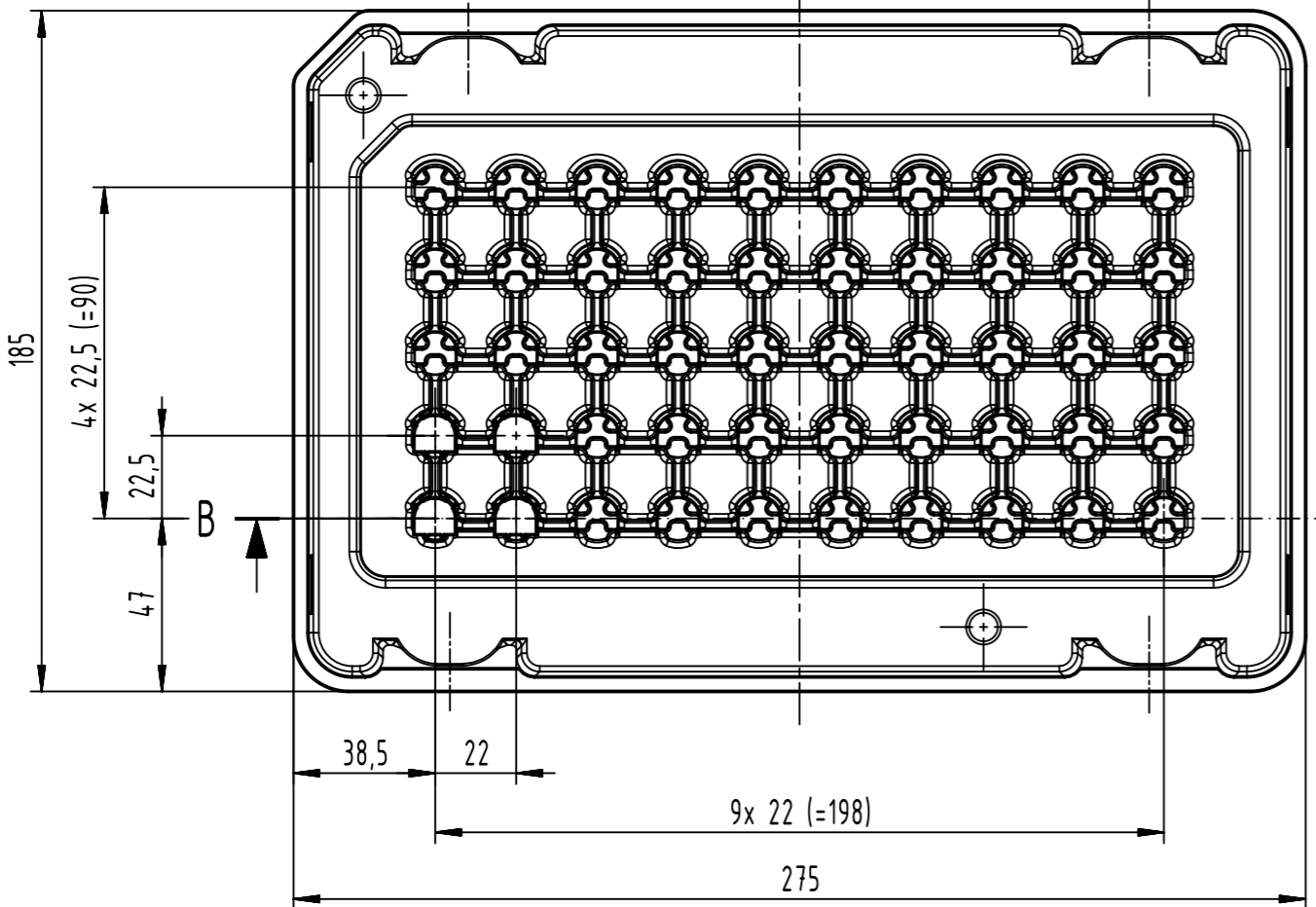
	All rights reserved	Created by HASELOH	Inspected by LUETTERMANN	Standardisation	Date 2022-12-07	State Final Release
	Department EL PD	Title T1 Industrial jack, T1-M12 straight, 8mm		Doc-Key / ECM-Nr. 100728602/UGD/002/F 50000232007		
HARTING D-32339 Espelkamp	Type TB	Number 21033392201		Rev. F	Page 1/3	



B-B (1:2)



(1:2)
view without cup



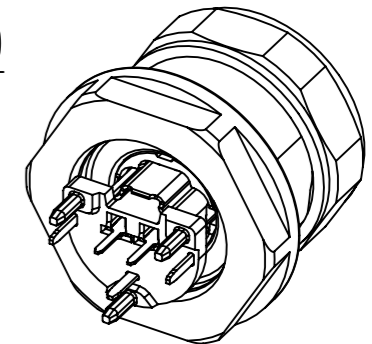
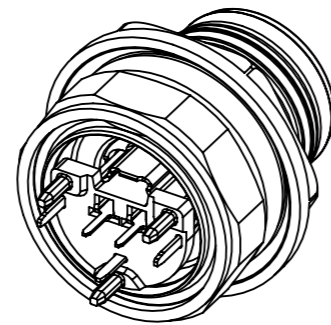
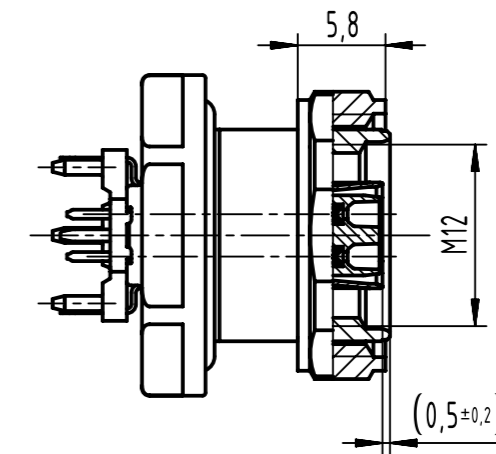
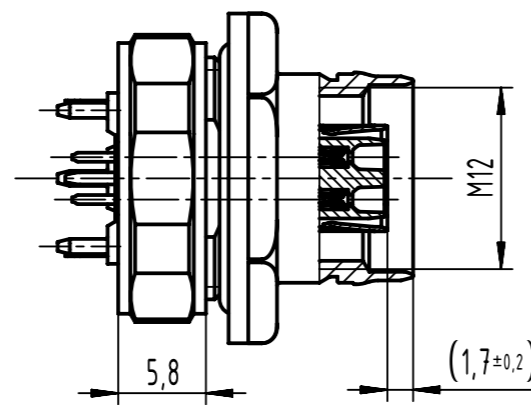
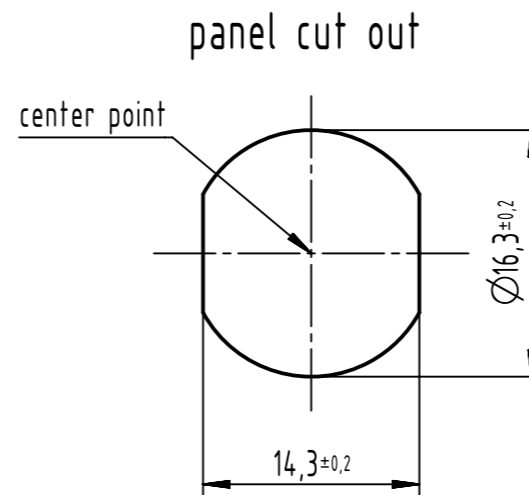
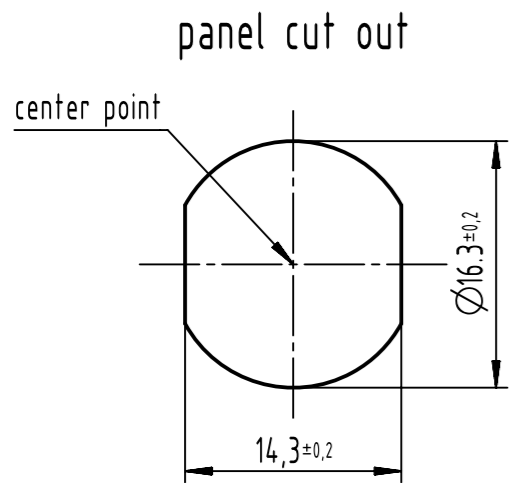
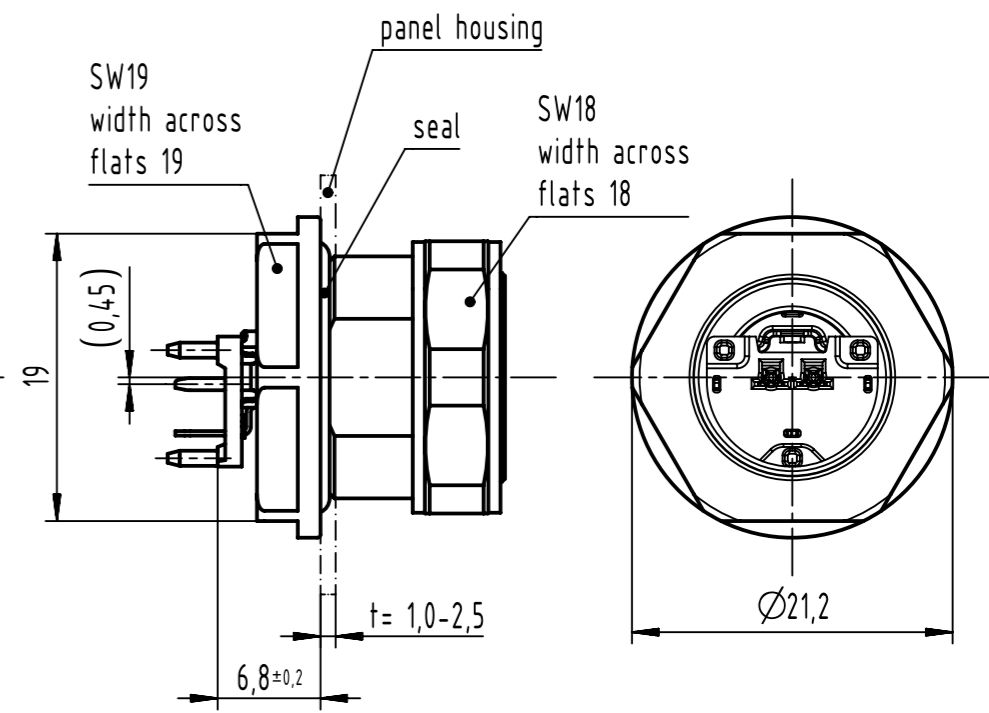
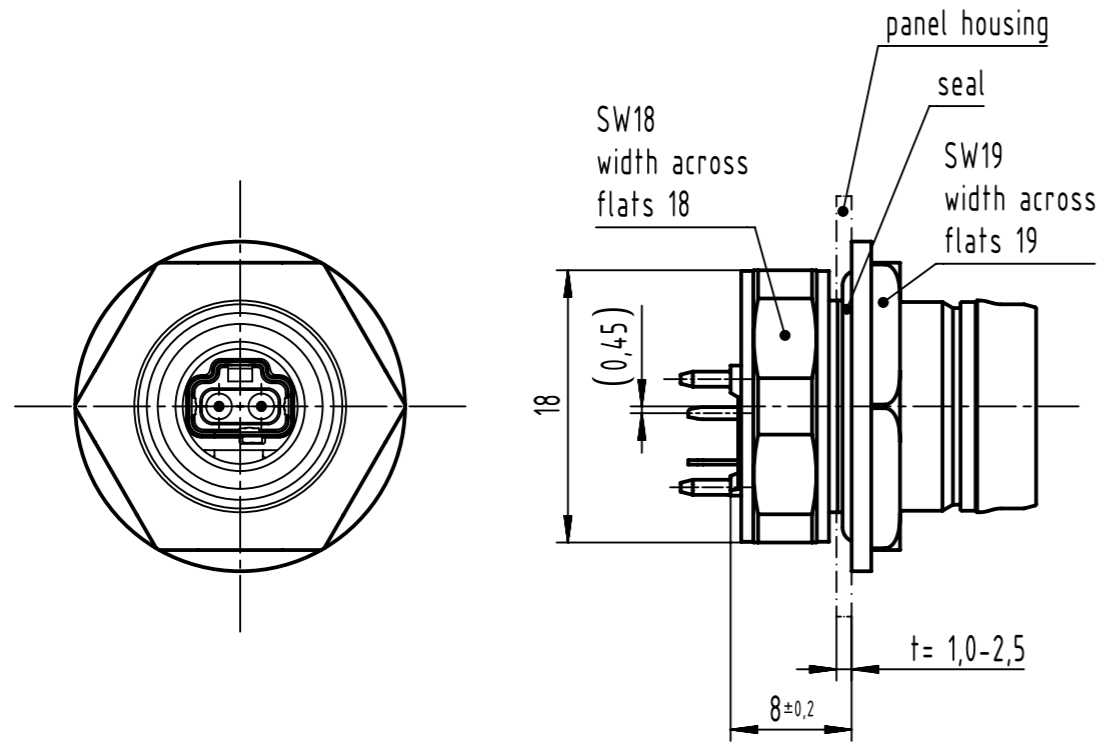
view without cup

50 pcs per tray

	All rights reserved Department EL PD	All Dimensions in mm Original Size DIN A3		Scale 2:1	Free size tol.	Ref. Sub.
		Created by HASELOH	Inspected by LUETTERMANN	Standardisation	Date 2022-12-07	State Final Release
HARTING D-32339 Espelkamp		Title T1 Industrial jack, T1-M12 straight, 8mm			Doc-Key / ECM-Nr. 100728602/UGD/002/F 500000232007	
		Type TB	Number 21033392201		Rev. F	Page 2/3

T1-M12 front mounting
21033392001

T1-M12 back mounting
21033392000



	All rights reserved	Created by HASELOH	Inspected by LUETTERMANN	Standardisation	Date 2022-12-07	State Final Release	Ref. Sub.
	Department EL PD	Title T1 Industrial jack, T1-M12 straight, 8mm				Doc-Key / ECM-Nr. 100728602/UGD/002/F 500000232007	
HARTING D-32339 Espelkamp	Type TB	Number 21033392201		Rev. F	Page 3/3		